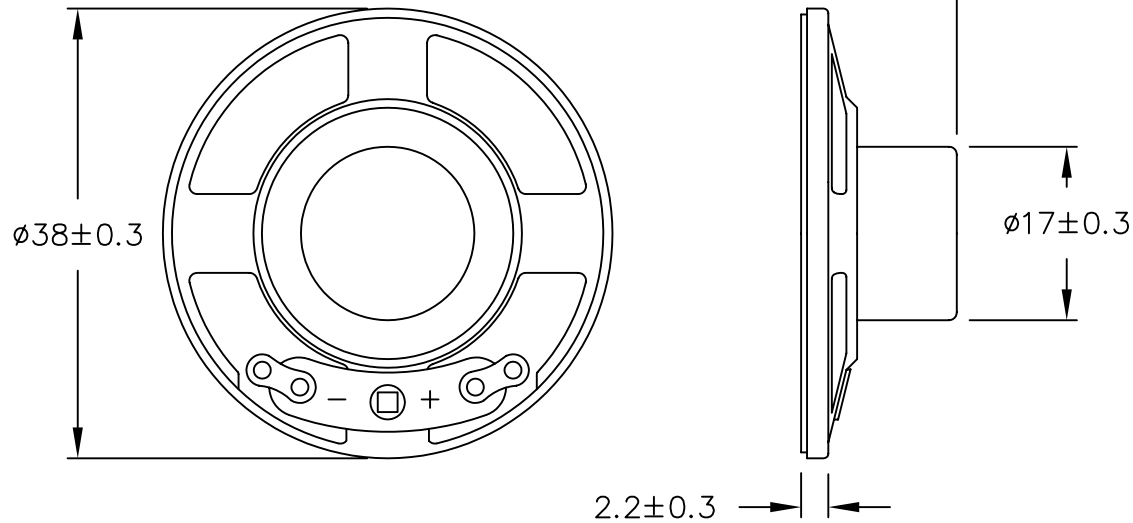


THIS DOCUMENT CONTAINS DATA PROPRIETARY TO PROJECTS UNLIMITED, INC. ANY USE OR REPRODUCTION, IN ANY FORM, WITHOUT PRIOR WRITTEN PERMISSION OF PROJECTS UNLIMITED, INC. IS PROHIBITED.  
© 2005, Projects Unlimited Inc.

### SPECIFICATIONS


PARAMETERS	VALUES	UNITS
RATED INPUT POWER	0.1	W
MAX INPUT POWER	0.2	W
IMPEDANCE	8±15%	OHM
OUTPUT SPL @ 1W/1M (AT 1.0, 1.2, 1.5, 2.0 kHz)	82±3	dBA
DISTORTION (MAX.)	5%	-
RESONANT FREQUENCY	800±20%	Hz
FREQUENCY RANGE	800 ~ 5000	Hz
HOUSING MATERIAL	METAL	-
CONE MATERIAL	PAPER	-
MAGNET MATERIAL	NdFeB	-
OPERATING TEMPERATURE	-20 ~ +50	°C
WEIGHT	13	grams

REVISIONS			
LTR	DESCRIPTION	DATE	APPROVED
-	RELEASED FROM ENGINEERING	6/6/06	



**NOTES:**

1. ALL DIMENSIONS ARE IN MILLIMETERS.
2. SPECIFICATION SUBJECT TO CHANGE OR WITHDRAWAL WITHOUT NOTICE.
3. THIS PART IS RoHS 2002/95/EC COMPLIANT.

UNLESS OTHERWISE SPECIFIED: DIMENSIONS ARE IN MILLIMETERS, TOLERANCES ARE ±0.5 AND ANGLES ARE ±3°.		 <b>projects® unlimited</b> Dayton, Ohio									
<table border="1"> <thead> <tr> <th>APPROVALS</th> <th>DATE</th> </tr> </thead> <tbody> <tr> <td>DRAWN <i>J.D.</i></td> <td>6/06</td> </tr> <tr> <td>CHECKED <i>E.P.</i></td> <td>6/06</td> </tr> <tr> <td>APPROVED <i>B.R.</i></td> <td>6/06</td> </tr> </tbody> </table>		APPROVALS	DATE	DRAWN <i>J.D.</i>	6/06	CHECKED <i>E.P.</i>	6/06	APPROVED <i>B.R.</i>	6/06	<h1>SPEAKER</h1>	
APPROVALS	DATE										
DRAWN <i>J.D.</i>	6/06										
CHECKED <i>E.P.</i>	6/06										
APPROVED <i>B.R.</i>	6/06										
FILE NAME AS03808PR-R.DWG		SIZE A	DRAWING NO. AS03808PR-R								
DO NOT SCALE DRAWING		SCALE: N.T.S.	SHEET 1 OF 1								